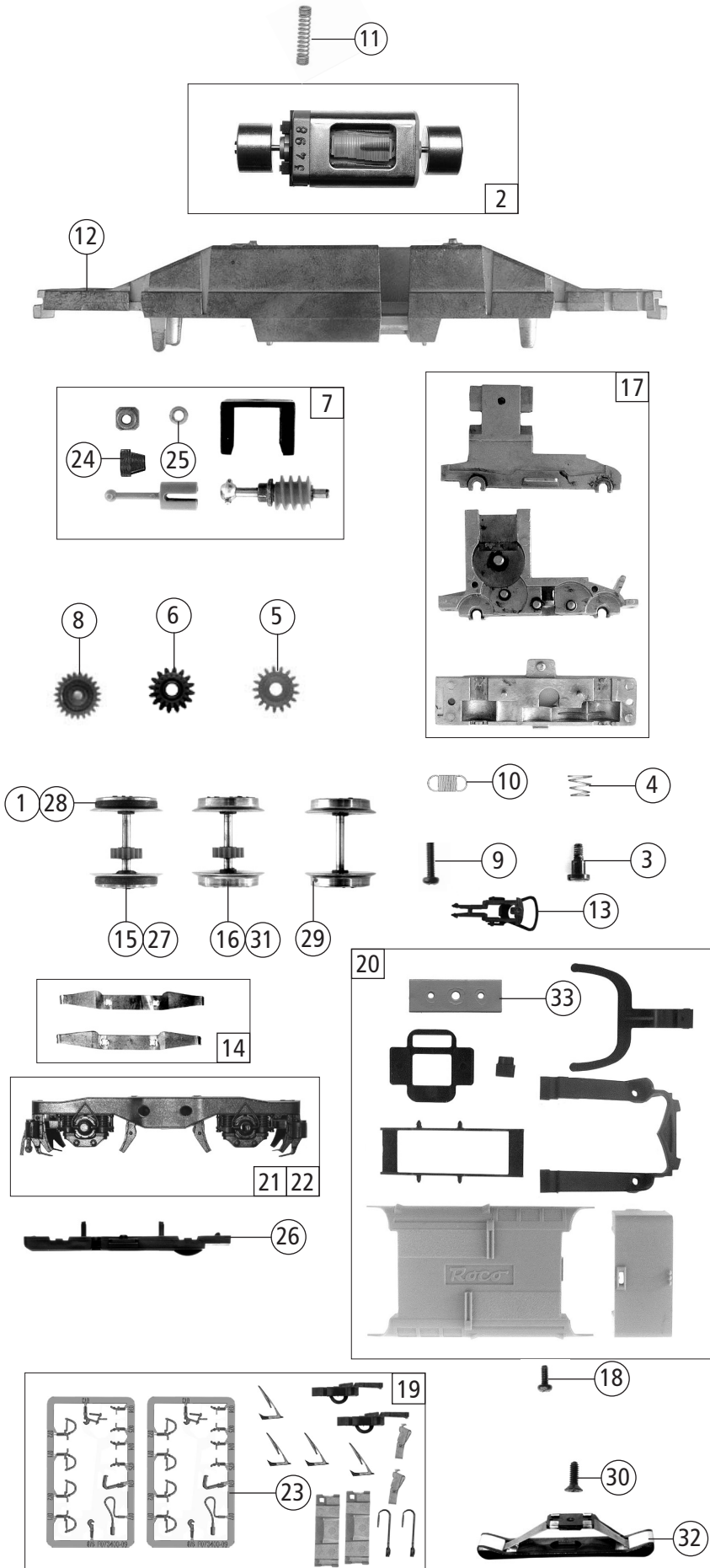


Pos. Nr. Pos.no.	Beschreibung Description	Art.-Nr. Art.no.	Preisgruppe Price bracket
73348	FS Rh 444		
73349			
79349			
1	Stromabnehmer Pantograph Pantografo	85462	19
2	Schraube M2x5 mm Screw M2x5 mm Vite M2x5 mm	85693	3
3	Lokpfeife Loco whistle Fischio della locomotive	88002	6
4	TS-Dachlaufstege Part set roof runways Passerella tetto	141004	9
5	TS - Fenster 1 Part set window 1 Set finestra 1	120056	11
6	TS - Seitenfenster Part set side window Set finestrino laterale	126241	12
7	Lichtring groß Light ring big Luce anello grande	120066	3
8	TS - Gehäuse Part set body Particolari carrozzeria	120069	16
9	Führerstandisolator Driver's cab isolator Isolatore	141006	3
10	Gehäuse komplett Betr. Nr. E444.035 Body assembly loco no. E444.035 Carrozzeria completa E444.035	140998	36
11	Puffer rechts Buffer right Tampone destro	120358	3
12	Puffer links Buffer left Tampone sinistro	120357	3
13	Makrofon Signal horn Trombetta	125317	3
14	Isolator für Stromabnehmer Isolator for pantograph Isolatore per pantografo	123160	3
15	TS-Dachteile Part set roof parts Set parti del tetto	126251	8
16	Stirnfenster links und rechts Front window left and right Parabrezza sinistro a destro	126240	8
17	Brückenstecker mit Kondensator Connector with capacitor Connettore a ponte con condensatore	125666	9
18	GF - Schraube M2x5 mm Self-tapping screw M2x5 mm GF - Vite M2x5 mm	114966	3
19	Platine komplett mit LED-Platinen Printed circuit board complete w.LED-PCB Circuito stampato completo	126236	20
20	Zuleitung Inlet pipe Condotta d'immissione	141005	3
<b>Sound</b>			
21	Sounddecoder Sound-decoder Decodificatore	129600	39
22	Lautsprecherbox Loudspeaker box Altoparlante scatola	133348	5
23	Lautsprecher Haltebügel Loudspeaker fixation Altoparlante molletta di fissaggio	131214	5
24	Lautsprecher Loudspeaker Altoparlante	129524	16

Änderungen in Konstruktion und Ausführung vorbehalten  
We reserve the right to change the construction and specification



Pos. Nr. Pos.no.	Beschreibung Description	Art.-Nr. Art.no.	Preisgruppe Price bracket
73348	FS Rh 444	=	
73349		=	🔊
79349		~	🔊
1	Hafringsatz 10 Stk. 12,9-14,6mm Traction tyres set 10 pieces 12,9-14,6mm Set anelli di aderenza 10 pezzi 12,9-14,6mm	40070	---
2	Motor Motor Motore	85112	28
3	FK - Schraube FK - Screw FK - Vite	85756	3
4	Konustfeder Cone spring Molla conica	86202	3
5	Zahnrad Z=17 M=0,4 mm G Gear wheel Z=17 M=0,4 mm G Ruota dentata Z=17 M=0,4 mm G	86418	5
6	Schneckenzahnrad doppelt Z=16/17 Worm gear wheel double Z=16/17 Ruota dentata doppia Z=16/17	86419	6
7	TS - Antrieb Part set drive Aredamento motore	120053	11
8	Zahnrad Z=23 gerade M=0,4 Gear wheel Z=23 straight M=0,4 Ruota dentata Z=23 M=0,4	111679	3
9	GF-Schraube M1,6x6 mm Self-tapping screw M1,6x6 mm GF-Vite M1,6x6 mm	114836	3
10	Zugfeder Draw spring Molla di trazione	86208	3
11	Kontaktfeder Contact spring Molla di trazione	116876	3
12	Grundrahmen lackiert Basic frame painted Telaio base	126235	17
13	Standardkupplung Standard coupling Aggancio standard	89246	6
14	TS - Radkontakte Part set wheel contacts Lamella di contatto ruote	120071	6
15	Radsatz mit Haftreifen Wheelset with traction tyres Assale cerchioni	120103	12
16	Radsatz ohne Haftreifen Wheelset without traction tyres Assale senza cerchioni	120104	11
17	Getriebesatz 3-teilig Gear set 3-parts Aredamento telaio portganci	120055	11
18	GF - Schraube M2x6 mm Self-tapping screw M2x6 mm GF - Vite M2x6 mm	114828	3
19	Zurüstbeutel Bag with accessories Busta accessori	141007	12
20	TS-Unterboden Set of parts for lower floorplate Particolari carrozzeria inferiori	120061	11
21	TS-Drehgestell 1 Part set bogie 1 Particolari carrello 1	120067	12
22	TS-Drehgestell 2 Part set bogie 2 Particolari carrello 2	120068	12
23	TS-Bremschläuche und Zughaken Part set of brake tubes & coupling hooks Set di pezzi tubo del freno & gancio	139832	7
24	Kardanschale kurz 1,5 mm Cardan reception short 1,5mm Tazza cardanica corto 1,5mm	87129	4
25	Beilagscheibe Washer Disco	86108	3
<b>AC-Wechselstrom</b>			
26	Getriebeboden Gear bottom Piano di trasmissione	113321	8
27	Radsatz mit Haftreifen Wheelset with traction tyres Assale cerchioni	120063	12
28	Hafringsatz 10 Stk. 12,5-15,3mm Traction tyres set 10 pieces 12,5-15,3mm Set anelli di aderenza 10 pezzi 12,5-15,3mm	40075	---
29	Radsatz ohne Haftreifen o. Zahnrad Wheelset w/o traction tyres and gear wheels Assale senza cerchioni	120064	10
30	SK - Schraube M1,6x5 SK - Screw M1,6x5 SK - Vite M1,6x5	115317	4
31	Radsatz ohne Haftreifen Wheelset without traction tyres Assale senza cerchioni	120065	11
32	Schleifer 42 mm Center pick-up 42 mm Rettifica 42 mm	86030	14
33	AC-Isolierplatte AC-Insulating plate AC-Piastra isolante	110201	4